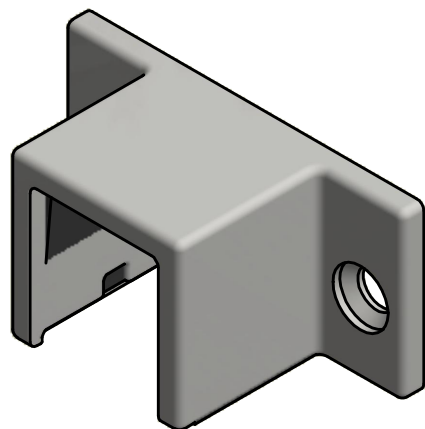
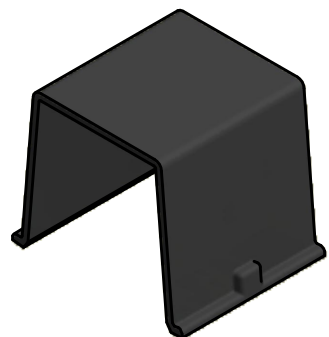
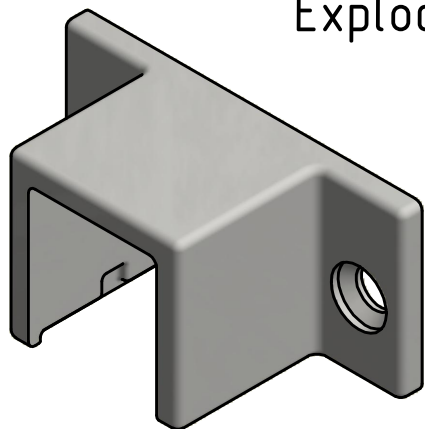
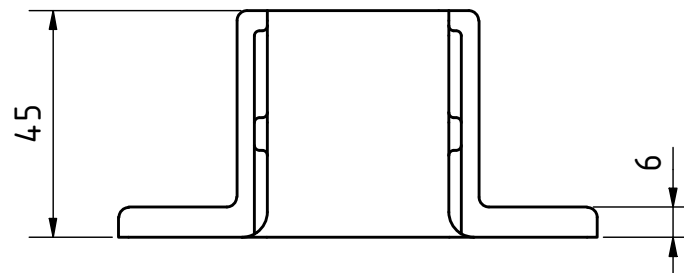
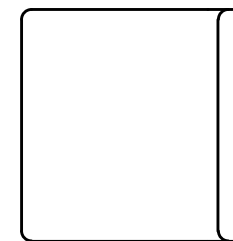
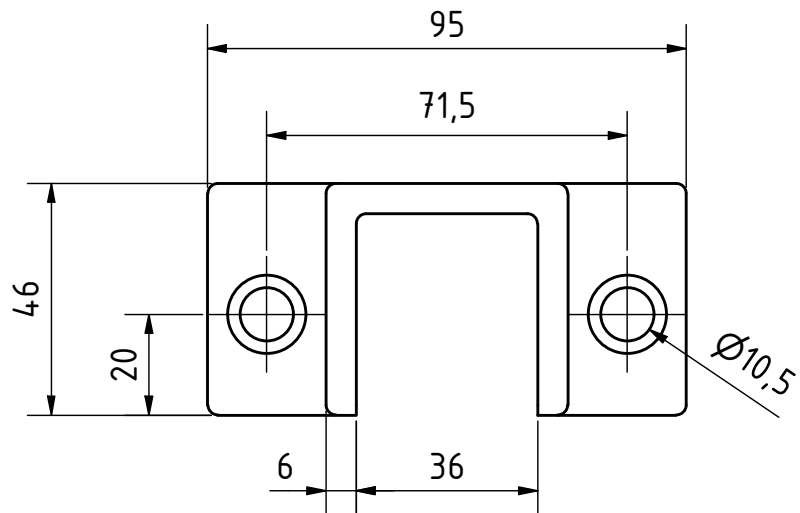


Exploded view



Assembled view



<b>Q-railing</b>		Scale: 1 : 1,5	Weight: N/A		Rev. No.:
Material:		Finish:			
<small>THIS DRAWING IS PROPERTY OF Q-RAILING EUROPE GmbH &amp; Co KG ALL RIGHTS RESERVED. It may not be submitted for perusal to third parties, either whole nor partly, unless granted. It is not permitted to alter this drawing unauthorised, in any way.</small>		Product line: <b>EASY GLASS HYBRID</b>			
Drawn	Date	Name	Description: Wall flange		
Checked	24.08.2020	JUTH			
	30.04.2021	LMR			
General tolerance according		Drawing no.:		Project:	
		<b>CD-116515-339-34</b>		Archiv no.: CD-11650533934	
				Sheet: 1 / 1	A4