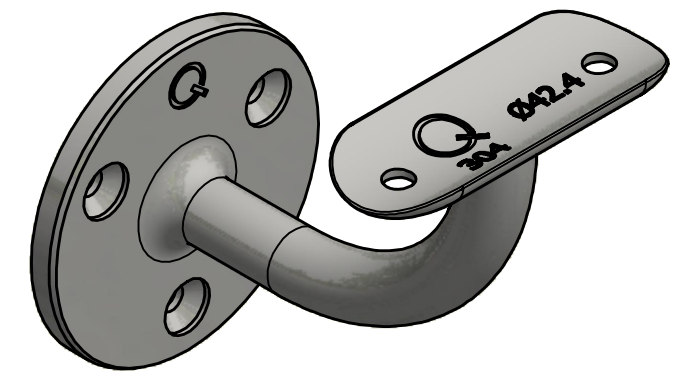
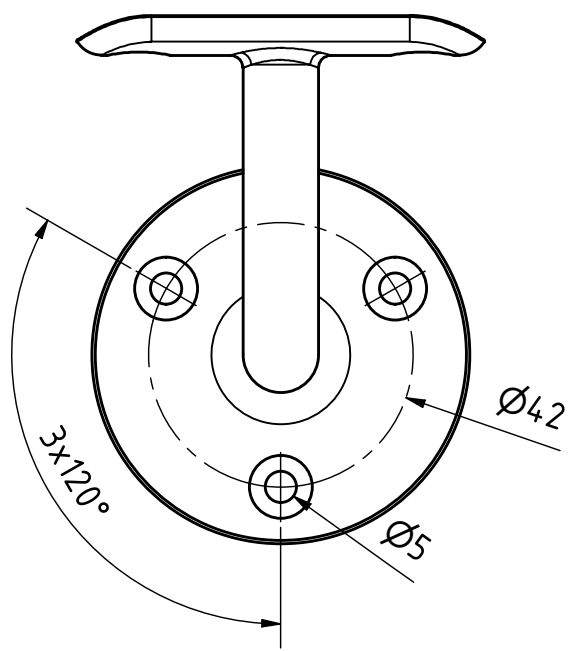
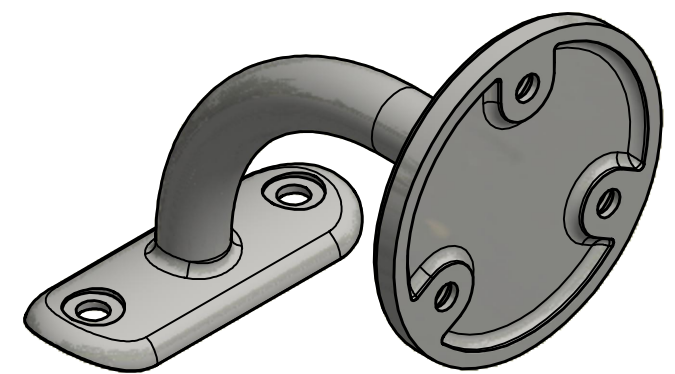


for tube Ø42,4



3D view



| | | | | | | |
|---|------------|------|--|---------------|----------------------------------|-----------------------------|
| | | | Scale: 1 : 1.2 | Weight: 199 g | | Rev. No.: |
| | | | Material: Stainless steel | | Finish: Approx. satin grain ~320 | |
| <small>THIS DRAWING IS PROPERTY OF Q-RAILING EUROPE GmbH & Co KG. ALL RIGHTS RESERVED. It may not be submitted for perusal to third parties, either whole nor partly, unless granted. It is not permitted to alter this drawing unauthorised, in any way.</small> | | | Product line: Q-LINE | | | |
| Drawn | Date | Name | Description: Handrail bracket for wall, tube Ø42,4 | | | |
| Checked | 03.05.2021 | LMR | | | | |
| General tolerance according | | | Drawing no.: | | | Project: |
| | | | CD-130112-042-12 | | | Archiv no.: CD-13011204.212 |
| | | | | | | Sheet: 1 / 1 |
| | | | | | | A4 |