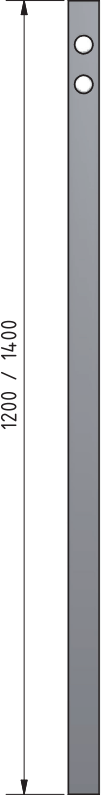
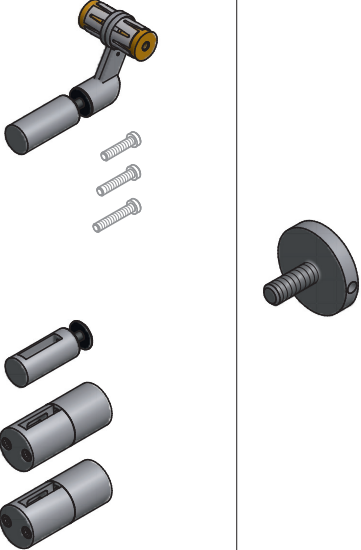

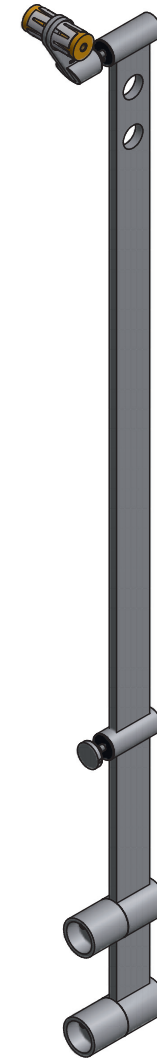
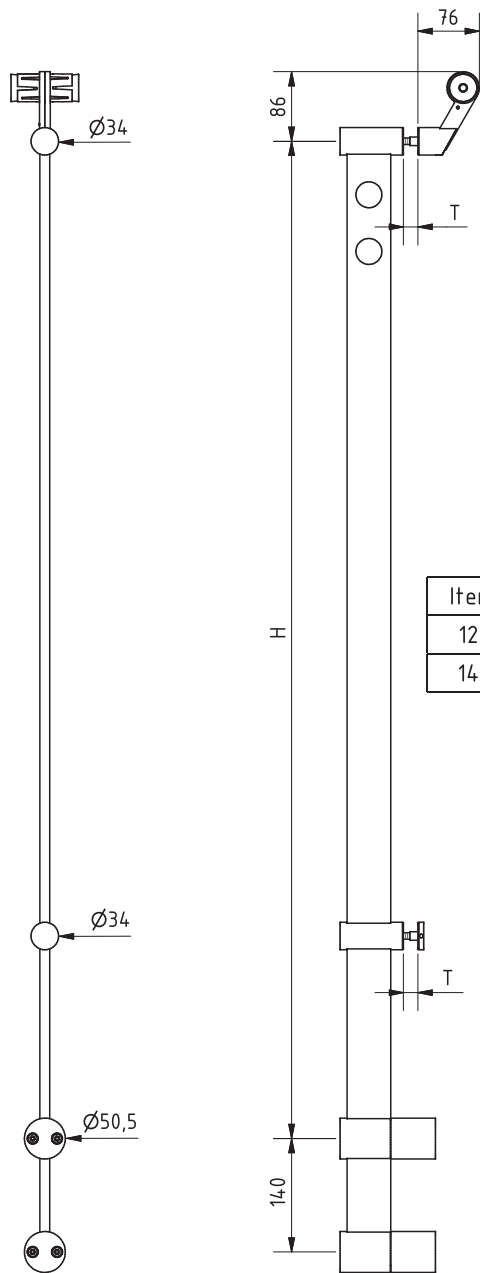


Item 1	Item 2	Item 3
		



M/14905100012



© Q-railing - All rights reserved

